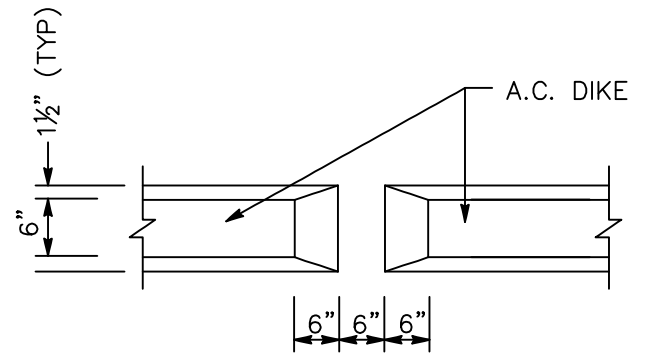
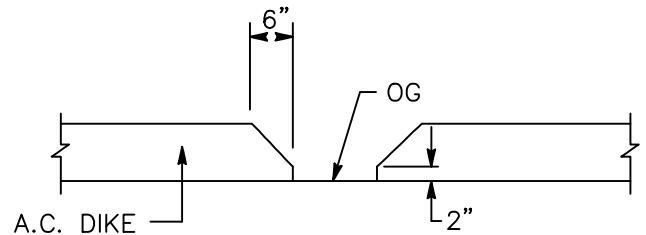


ASPHALT CONCRETE DIKE
NO SCALE



PLAN



ELEVATION

DIKE BREAK
NO SCALE

ASPHALT CONCRETE DIKE (TYPICAL)